



Stack

by studio MOTO

Catalogue April 2024

Design your own Stack



www.stack-furniture.com

Stack

by studio MOTO

STACK, the first furniture collection by Ghent-based architecture firm studio MOTO, can be seen as a playful family of stackable furniture, constructed from a limited number of aluminium components.

The system allows everyone to compose and 'build' a piece of furniture that meets their specific needs and wishes. Simple, effective, stable, stackable and expandable. Two round aluminium plates make a handy coffee table, but when you place six of them on top of each other, you suddenly get a sculptural totem that can be used as a pedestal or presentation furniture.

As in their architectural practice, studio MOTO's design for STACK seeks the tension between the functional and the adventurous. The collection starts from an everyday reality, but at the same time shows great design pleasure.

For both aesthetic and practical reasons, studio MOTO chose the neutral and timeless aluminium as its material. Apart from the interesting play of light and reflection and the natural patina the material acquires through use, aluminium is also light, strong and pliable. Specific to the collection is the duality between playful and austere, between elegant and robust, between everyday and adventurous and between timeless and contemporary.

The system arose from a practical necessity rather than from the desire to make a grand design statement. When studio MOTO searched in vain for a filing cabinet with a timeless design for their own office that could adapt to changing situations and grow with the office and its archive, they designed a system themselves.

STACK is a system that is clicked together and requires no screws or other mechanical fixings. The result is an extremely simple but versatile, durable and flexible furniture system that offers countless combinations and possibilities.

studio MOTO was founded by Thomas Hick and Mo Vandenberghe. They designed, among other things, The Wunderkammer Residence for Museum Dhondt Dhaenens in Deurle, the mirrored chip shops in Brussels, the redevelopment of the botanical garden in Meise and the new Westerpunt observation tower in De Panne. They are currently working, among other things, on the new master plan and scenography for the Middelheim open-air museum in Antwerp.





Infinite Configurations





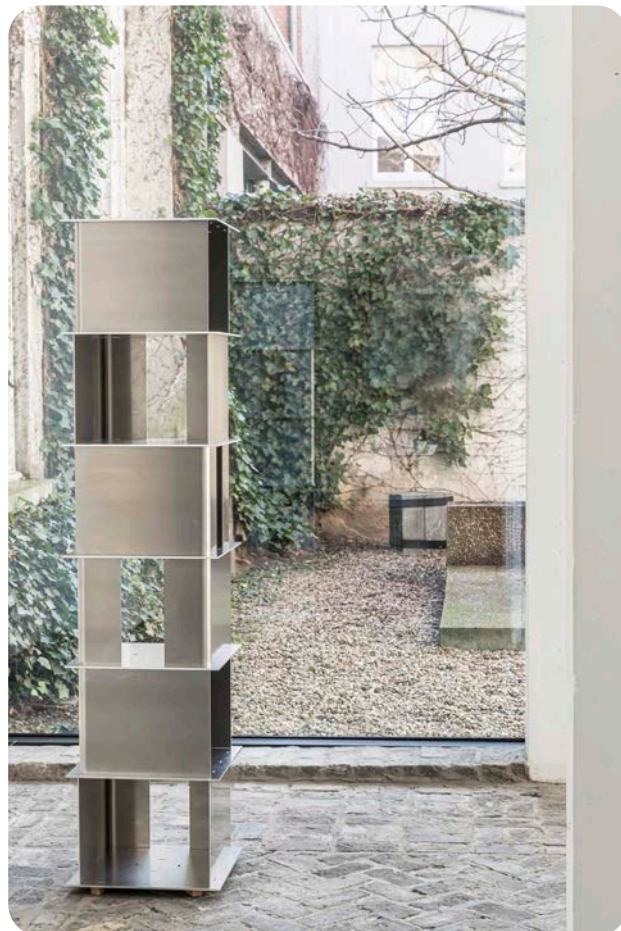
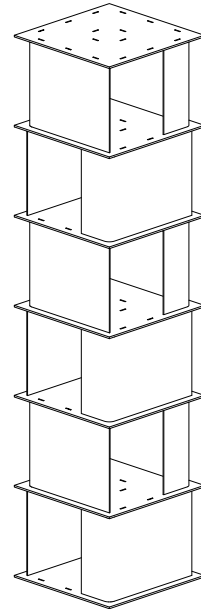
Stack 006

Material aluminium 3 & 5 mm

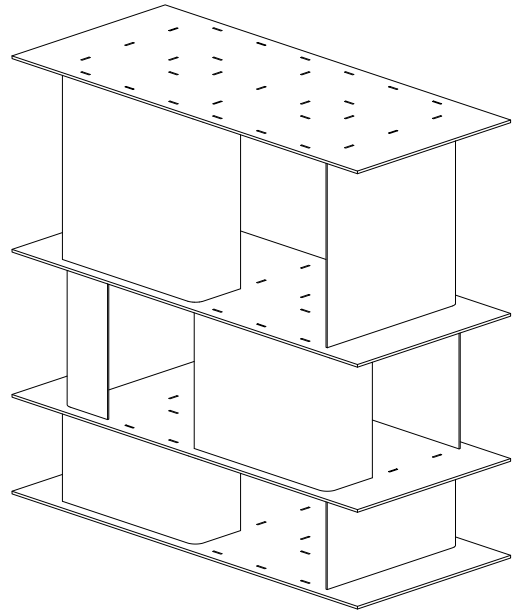
Dimensions 380mm x 380mm x 1625mm (LxDxH)

Finish

●	raw aluminium (possible surface imperfections)	1.830,00 € (excl. taxes)
● ● ● ● ● ●	powder coated	2.196,00 € (excl. taxes)



Stack 013



Material

aluminium 3 & 5 mm

Dimensions

872mm x 380mm x 815mm (LxDxH)

Finish

- raw aluminium 1.517,00 € (excl. taxes)
(possible surface imperfections)
- powder coated 1.820,40 € (excl. taxes)



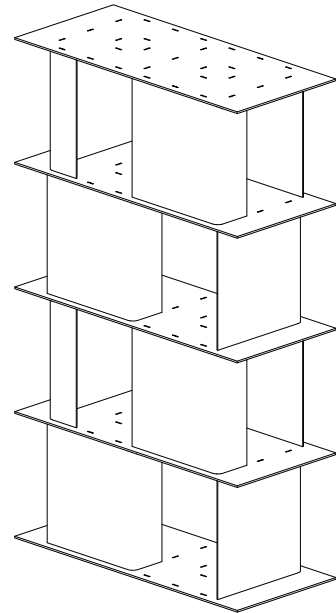
Stack 014

Material aluminium 3 & 5 mm

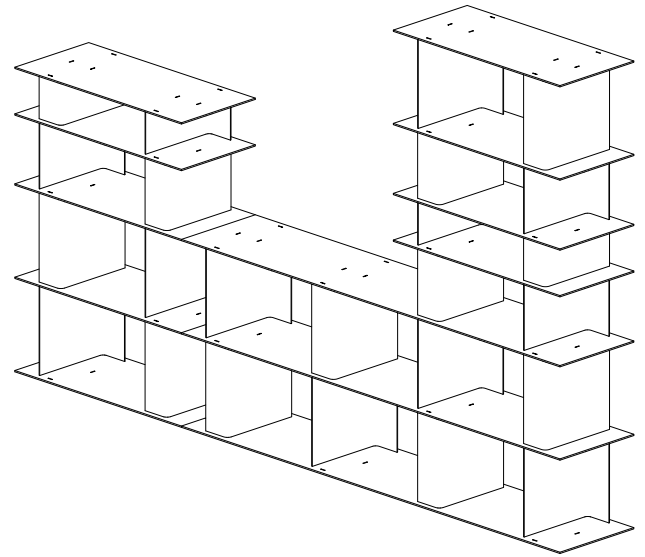
Dimensions 872mm x 380mm x 1445mm (LxDxH)

Finish

●	raw aluminium (possible surface imperfections)	2.539,79 € (excl. taxes)
● ● ● ● ● ●	powder coated	3.301,73 € (excl. taxes)



Stack 021



Material aluminium 3 & 5 mm

Dimensions 2834mm x 380mm x 1805mm (LxDxH)

Finish

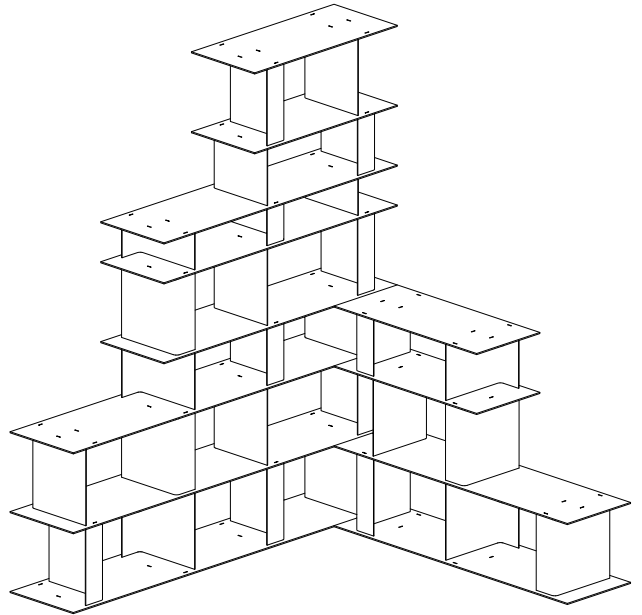
- raw aluminium 4.942,00 € (excl. taxes)
(possible surface imperfections)
- ● ● ● ● powder coated 5.930,40 € (excl. taxes)







Stack 024



Material aluminium 3 & 5 mm

Dimensions 1962mm x 1797mm x 2165mm (LxDxH)

Finish

●	raw aluminium	5.724,00 € (excl. taxes)
	(possible surface imperfections)	
● ● ● ● ● ●	powder coated	6.868,80 € (excl. taxes)



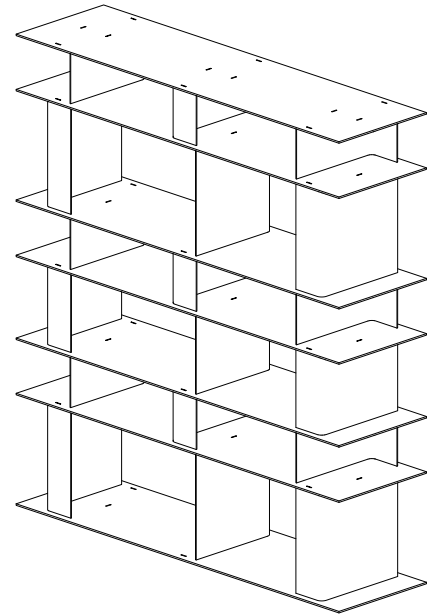
Stack 043

Material aluminium 3 & 5 mm

Dimensions 1417mm x 380mm x 1535mm (LxDxH)

Finish

<input type="radio"/>	raw aluminium <small>(possible surface imperfections)</small>	3.330,00 € (excl. taxes)
<input type="radio"/>	powder coated	3.996,00 € (excl. taxes)



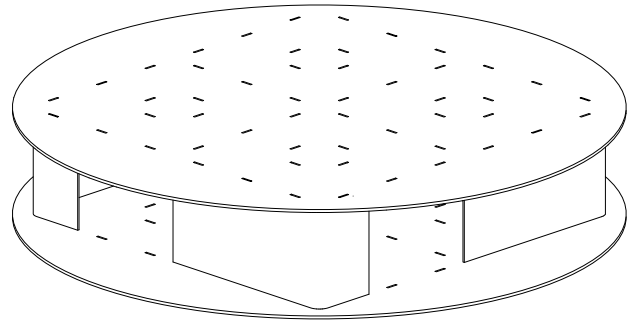
Stack 048

Material aluminium 3 & 5 mm

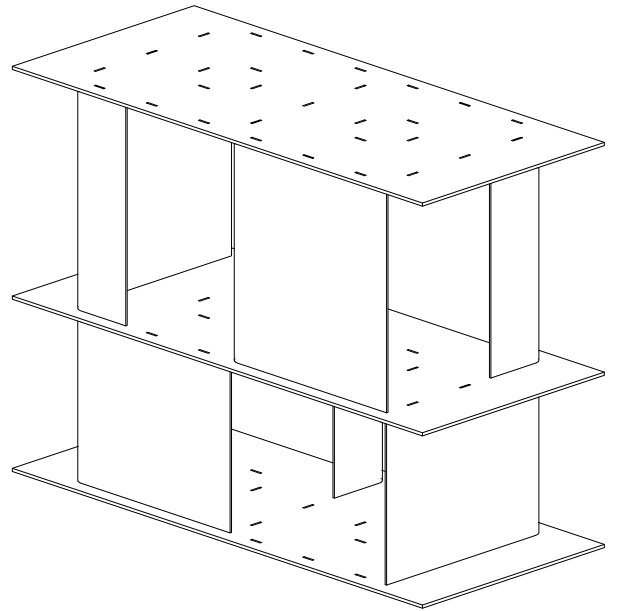
Dimensions 979mm x 185mm (ØxH)

Finish

- raw aluminium 1.280,00 € (excl. taxes)
(possible surface imperfections)
- powder coated 1.536,00 € (excl. taxes)



Stack 051



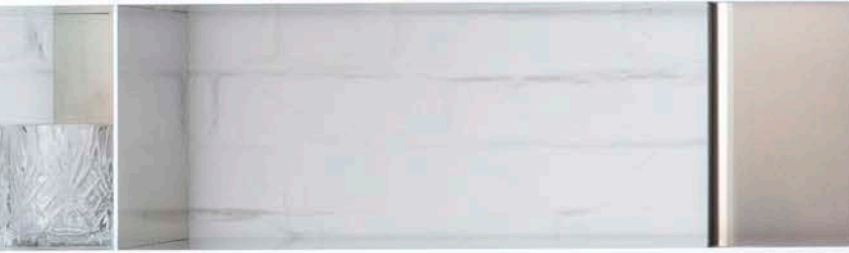
Material aluminium 3 & 5 mm

Dimensions 872mm x 380mm x 635mm (LxDxH)

Finish

●	raw aluminium (possible surface imperfections)	1.118,00 € (excl. taxes)
● ● ● ● ● ●	powder coated	1.341,60 € (excl. taxes)







BAR TARTINE TECHNIQUES & RECIPES
Indoor Green Living with Plants
BLACK BODY IN ABBEVILLE 2011

the golden days of jazz

Darius Khondji Greenterior
LITTA
CLAUDIA RODRIGUEZ

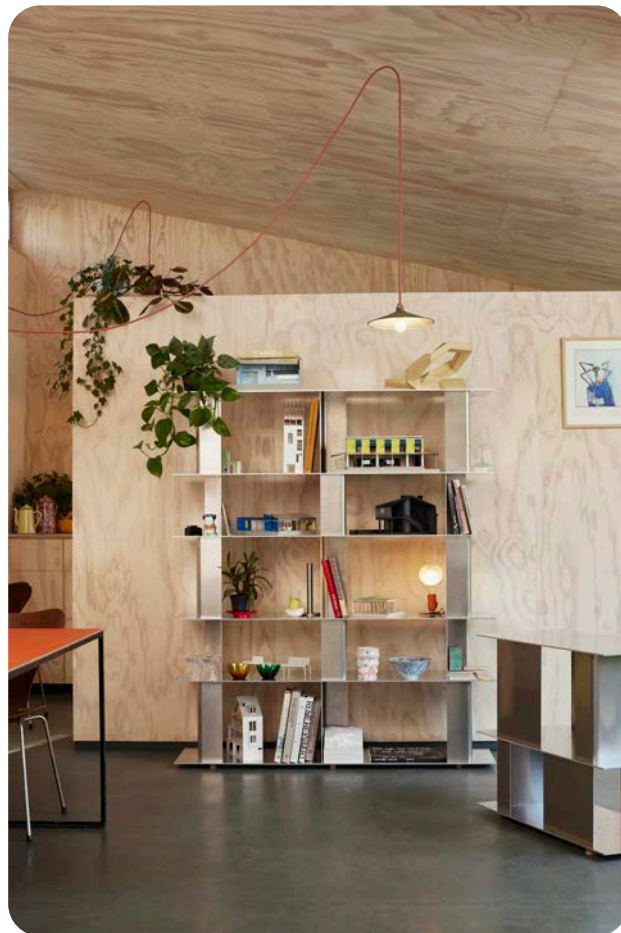
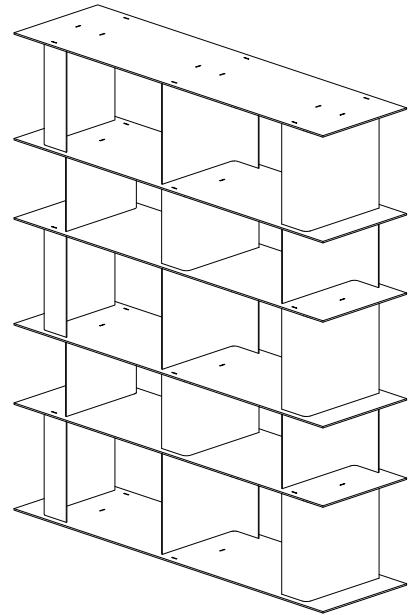
Stack 071

Material aluminium 3 & 5 mm

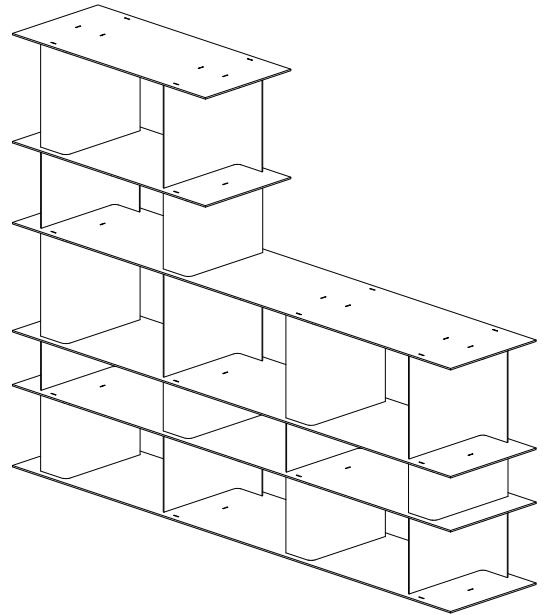
Dimensions 1417mm x 380mm x 1625mm (LxDxH)

Finish

- raw aluminium 2.946,00 € (excl. taxes)
(possible surface imperfections)
- ● ● ● ● powder coated 3.535,20 € (excl. taxes)



Stack 072



Material aluminium 3 & 5 mm

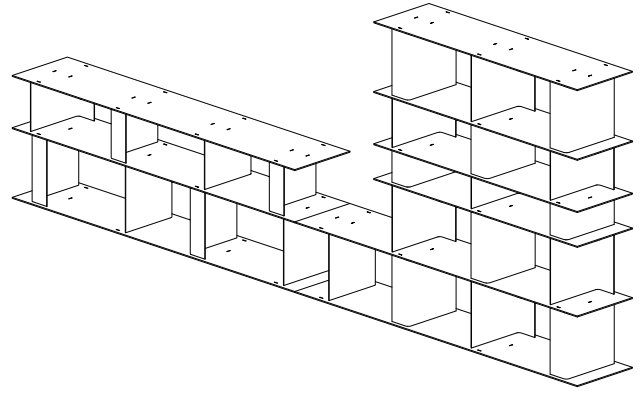
Dimensions 1962mm x 380mm x 1445mm (LxDxH)

Finish

- raw aluminium 3.250,00 € (excl. taxes)
(possible surface imperfections)
- ● ● ● ● powder coated 3.900,00 € (excl. taxes)



Stack 073



Material aluminium 3 & 5 mm

Dimensions 3924mm x 380mm x 1536mm (LxDxH)

Finish

- raw aluminium 5.113,00 € (excl. taxes)
(possible surface imperfections)
- ● ● ● ● powder coated 6.135,60 € (excl. taxes)



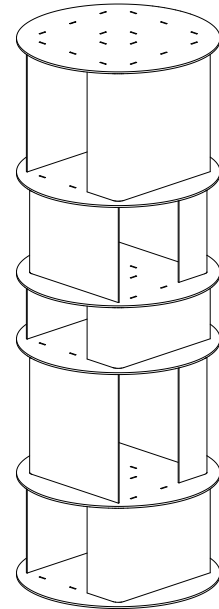
Stack 075

Material aluminium 3 & 5 mm

Dimensions 517mm x 1445mm (ØxH)

Finish

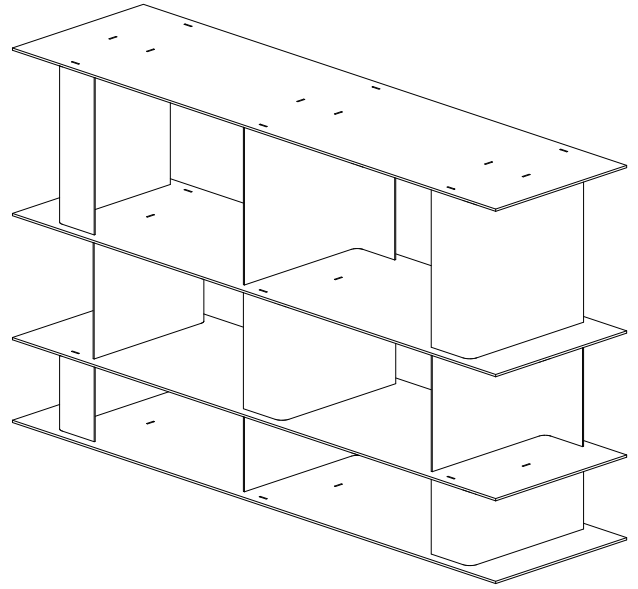
- raw aluminium 1.882,00 € (excl. taxes)
(possible surface imperfections)
- powder coated 2.258,40 € (excl. taxes)







Stack 087



Material aluminium 3 & 5 mm

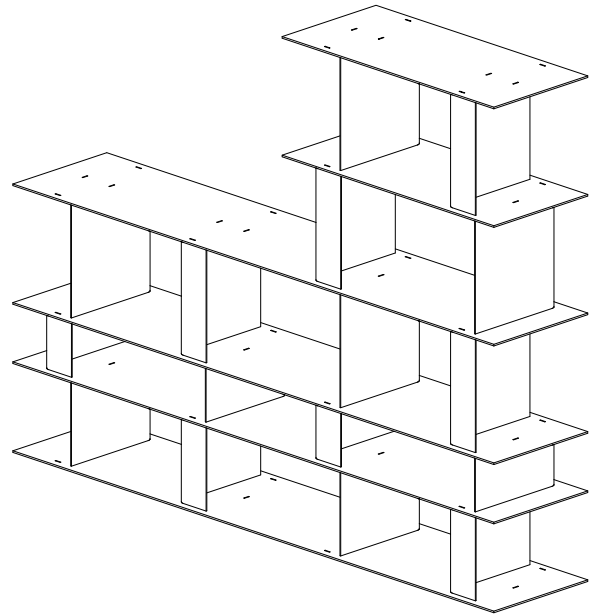
Dimensions 1417mm x 380mm x 815mm (LxDxH)

Finish

- raw aluminium 1.839,00 € (excl. taxes)
(possible surface imperfections)
- ● ● ● ● powder coated 2.206,80 € (excl. taxes)



Stack 088



Material

aluminium 3 & 5 mm

Dimensions

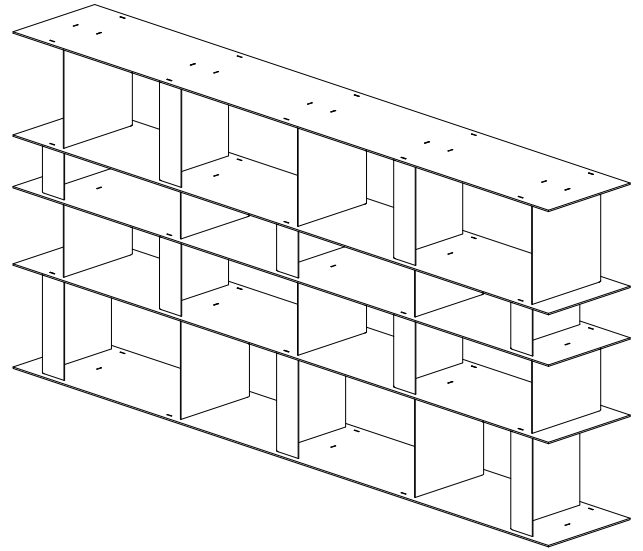
1962mm x 380mm x 1535mm (LxDxH)

Finish

- raw aluminium 3.268,00 € (excl. taxes)
(possible surface imperfections)
- powder coated 3.921,60 € (excl. taxes)



Stack 089



Material aluminium 3 & 5 mm

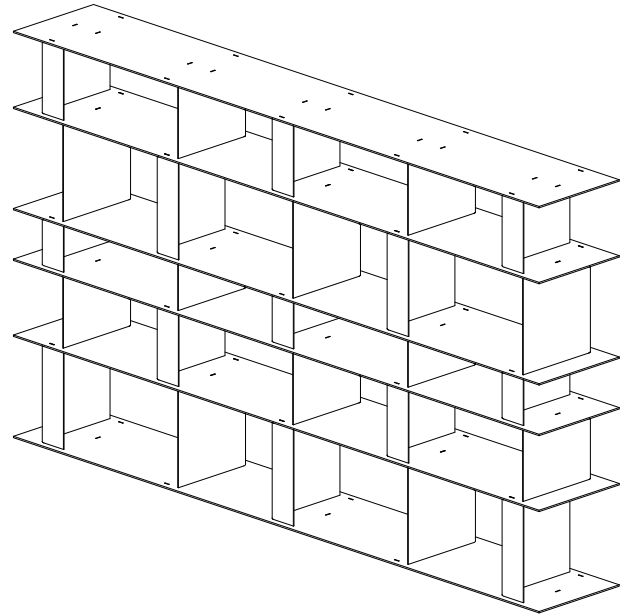
Dimensions 2507mm x 380mm x 1175mm (LxDxH)

Finish

- raw aluminium 4.085,00 € (excl. taxes)
(possible surface imperfections)
- powder coated 4.902,00 € (excl. taxes)



Stack 090



Material aluminium 3 & 5 mm

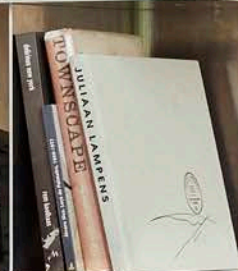
Dimensions 2507mm x 380mm x 1445mm (LxDxH)

Finish

- raw aluminium 4.960,00 € (excl. taxes)
(possible surface imperfections)
- powder coated 5.952,00 € (excl. taxes)







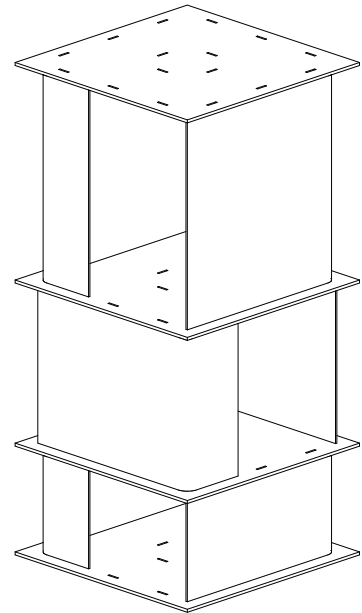
Stack 096

Material aluminium 3 & 5 mm

Dimensions 380mm x 380mm x 815mm (LxDxH)

Finish

●	raw aluminium	986,00 € (excl. taxes)
	(possible surface imperfections)	
● ● ● ● ● ●	powder coated	1.183,20 € (excl. taxes)



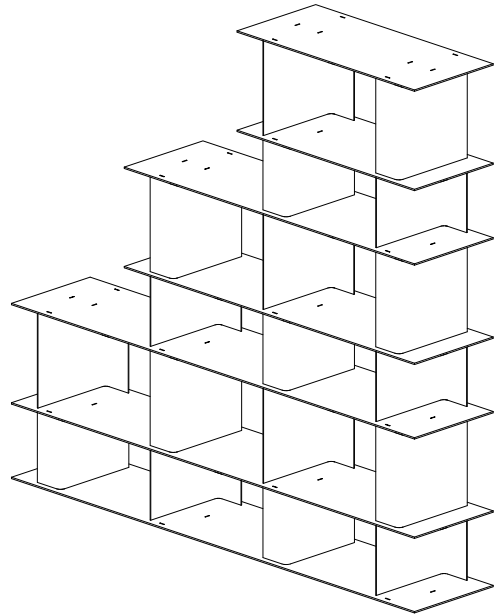
Stack 109

Material aluminium 3 & 5 mm

Dimensions 1962mm x 380mm x 1895mm (LxDxH)

Finish

- raw aluminium 3.641,00 € (excl. taxes)
(possible surface imperfections)
- ● ● ● ● powder coated 4.369,20 € (excl. taxes)



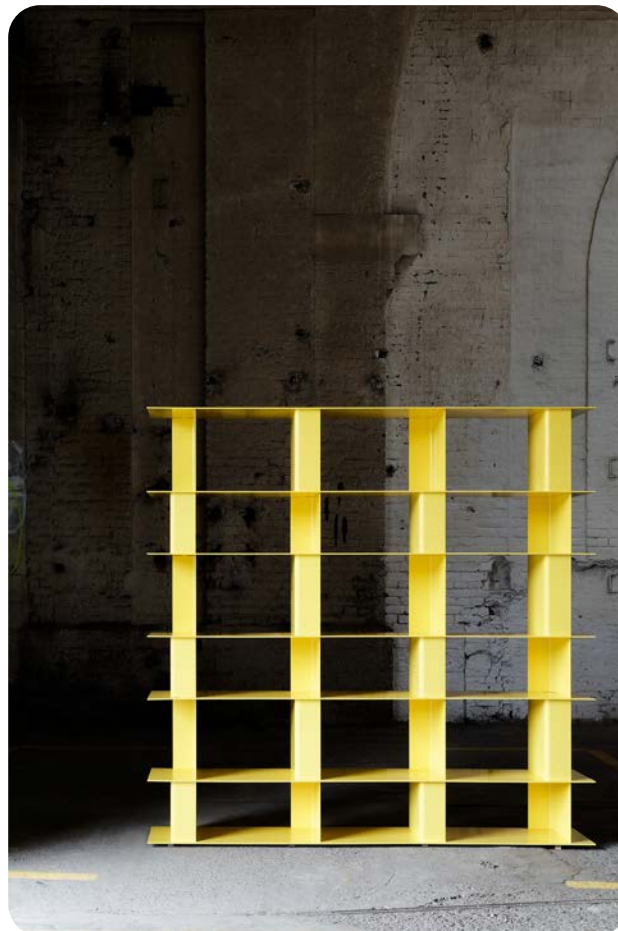
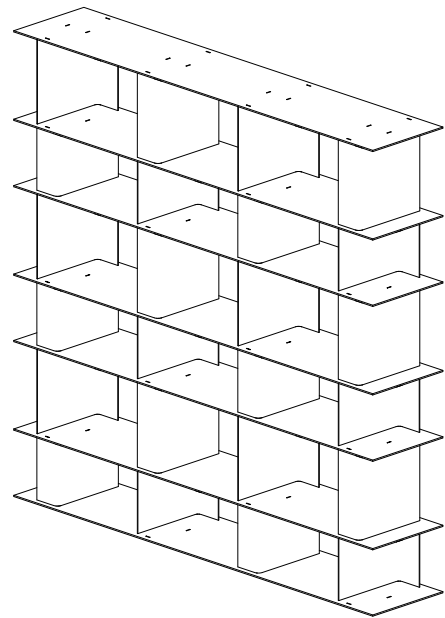
Stack 110

Material aluminium 3 & 5 mm

Dimensions 1962mm x 380mm x 1895mm (LxDxH)

Finish

- raw aluminium 4.748,00 € (excl. taxes)
(possible surface imperfections)
- ● ● ● ● powder coated 5.697,60 € (excl. taxes)



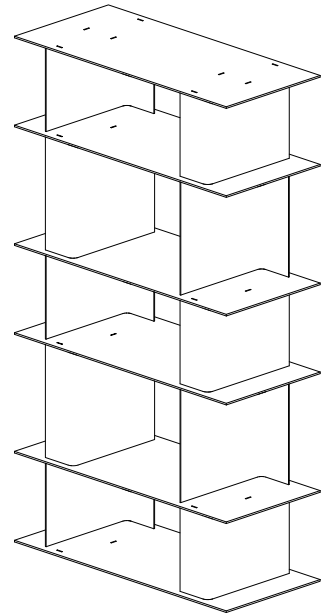
Stack 115

Material aluminium 3 & 5 mm

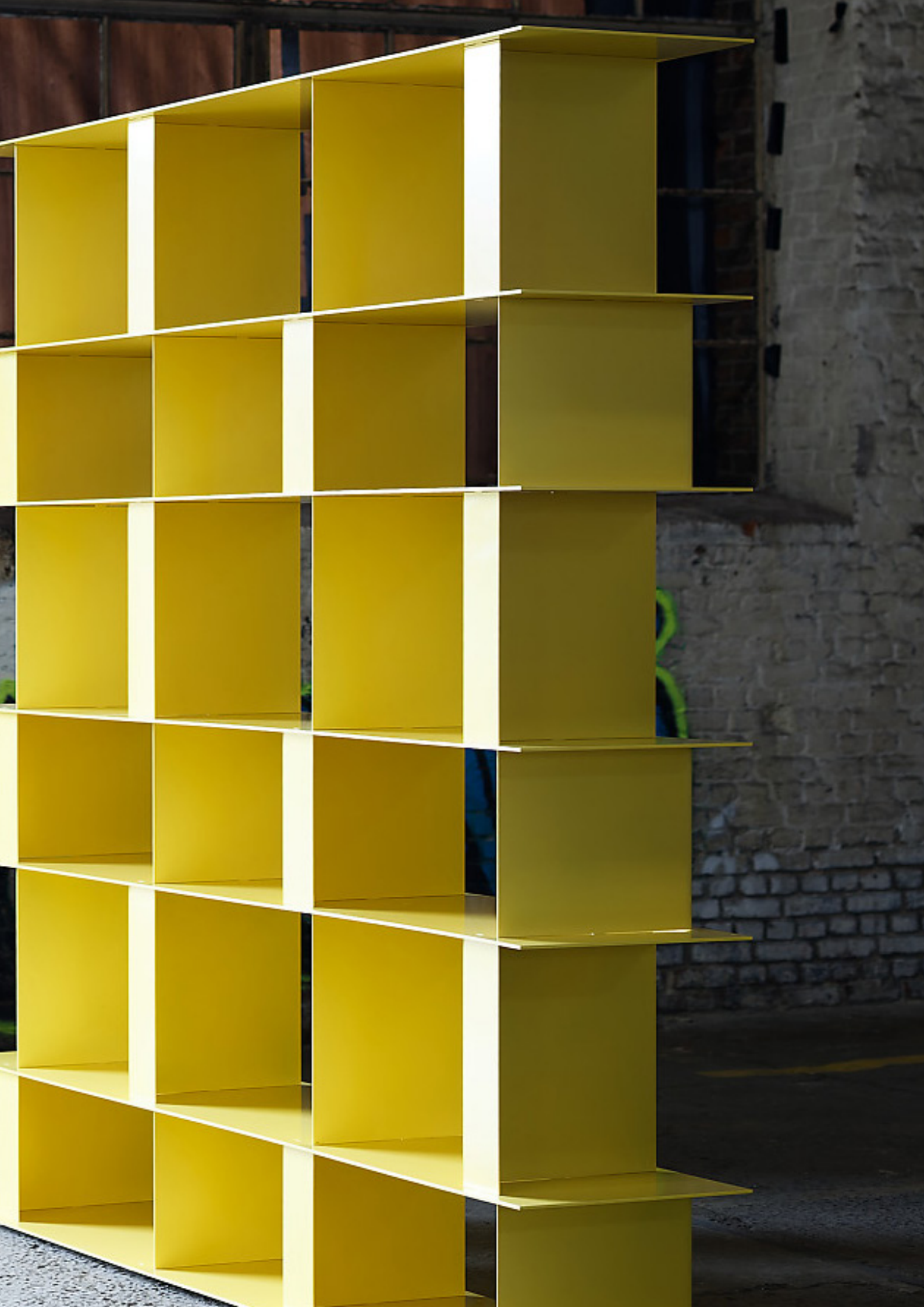
Dimensions 872mm x 380mm x 1535mm (LxDxH)

Finish

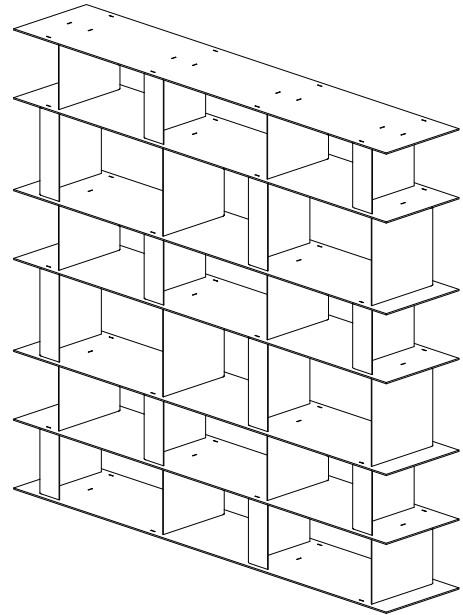
- raw aluminium 2.016,00 € (excl. taxes)
(possible surface imperfections)
- ● ● ● ● powder coated 2.419,20 € (excl. taxes)







Stack 127



Material aluminium 3 & 5 mm

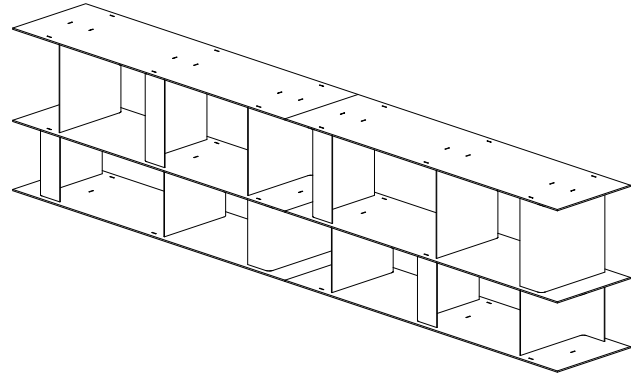
Dimensions 1962mm x 380mm x 1805mm (LxDxH)

Finish

●	raw aluminium	3.658,68 € (excl. taxes)
	(possible surface imperfections)	
● ● ● ● ● ●	powder coated	4.390,42 € (excl. taxes)



Stack 131



Material aluminium 3 & 5 mm

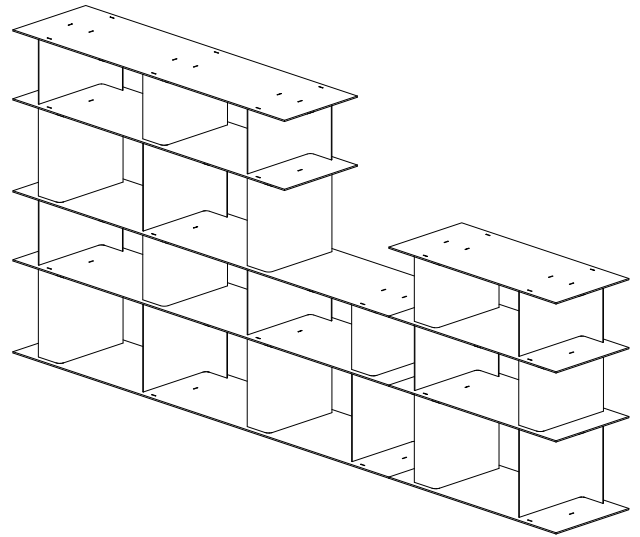
Dimensions 2834mm x 380mm x 635mm (LxDxH)

Finish

●	raw aluminium	2.724,00 € (excl. taxes)
	(possible surface imperfections)	
● ● ● ● ●	powder coated	3.268,80 € (excl. taxes)



Stack 132



Material aluminium 3 & 5 mm

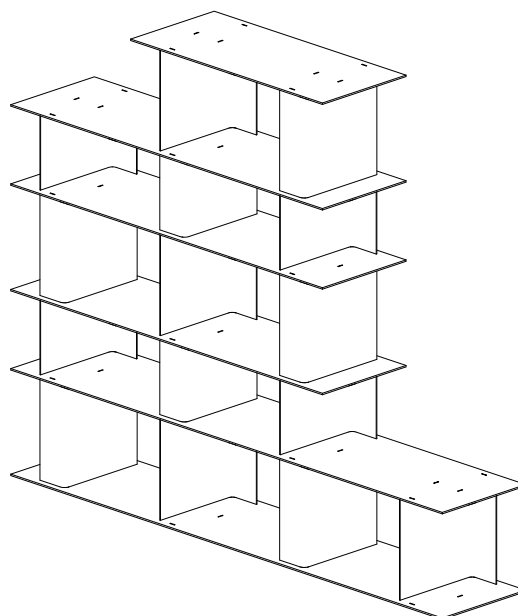
Dimensions 2804mm x 380mm x 1265mm (LxDxH)

Finish

- raw aluminium 4.211,00 € (excl. taxes)
(possible surface imperfections)
- powder coated 5.053,20 € (excl. taxes)



Stack 137



Material

aluminium 3 & 5 mm

Dimensions

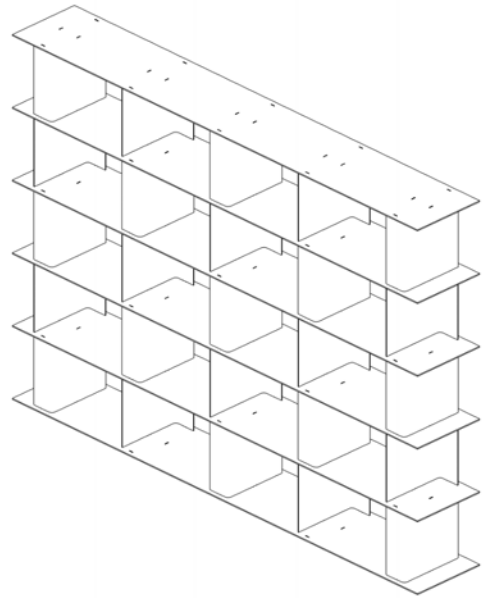
1962mm x 380mm x 1625mm (LxDxH)

Finish

- raw aluminium 3.101,00 € (excl. taxes)
(possible surface imperfections)
- powder coated 3.721,20 € (excl. taxes)



Stack 164



Material aluminium 3 & 5 mm

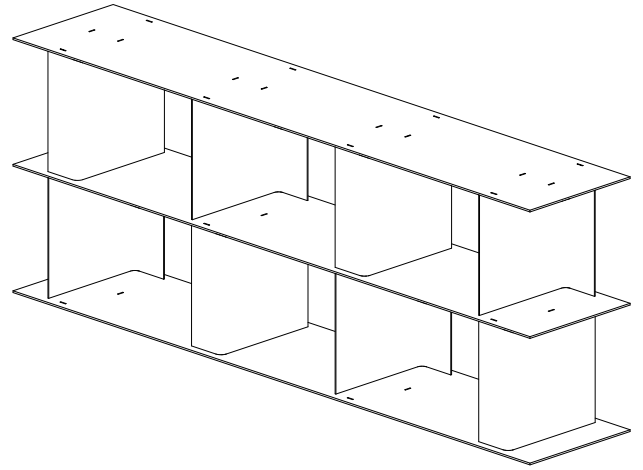
Dimensions 2492mm x 380mm x 1805mm (LxDxH)

Finish

●	raw aluminium	5.150,00 € (excl. taxes)
	(possible surface imperfections)	
● ● ● ● ●	powder coated	6.775,00 € (excl. taxes)



Stack 165



Material aluminium 3 & 5 mm

Dimensions 1962mm x 380mm x 725mm (LxDxH)

Finish

- raw aluminium 1.912,00 € (excl. taxes)
(possible surface imperfections)
- ● ● ● ● powder coated 2.294,40 € (excl. taxes)



14

Components

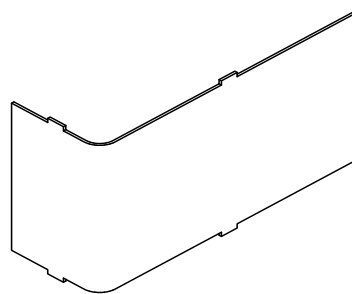
L-S

Material aluminium 3 & 5 mm

Dimensions 330mm x 112mm x 175mm (LxDxH)

Finish raw aluminium 64,00 € (excl. taxes)
(possible surface imperfections)

powder coated 83,00 € (excl. taxes)



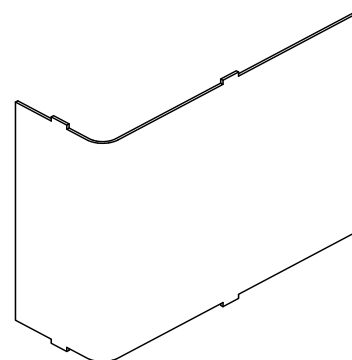
L-M

Material aluminium 3 & 5 mm

Dimensions 330mm x 112mm x 265mm (LxDxH)

Finish raw aluminium 75,00 € (excl. taxes)
(possible surface imperfections)

powder coated 98,00 € (excl. taxes)



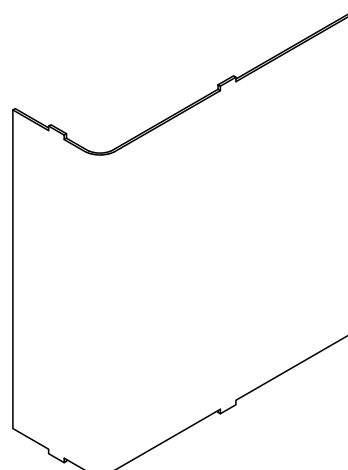
L-L

Material aluminium 3 & 5 mm

Dimensions 330mm x 112mm x 355mm (LxDxH)

Finish raw aluminium 84,00 € (excl. taxes)
(possible surface imperfections)


powder coated 113,00 € (excl. taxes)




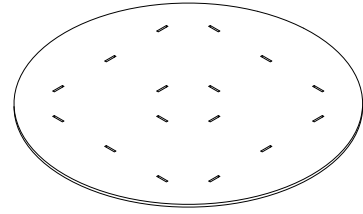
CIRCLE-S

Material aluminium 3 & 5 mm

Dimensions 517mm x 5mm (ØxH)

Finish  raw aluminium 183,00 € (excl. taxes)
(possible surface imperfections)


 powder coated 238,00 € (excl. taxes)




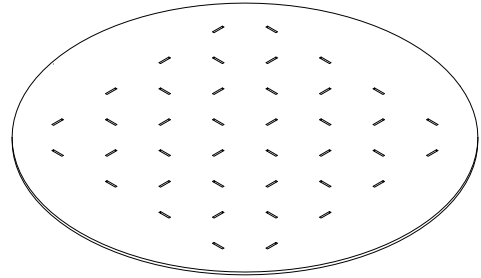
CIRCLE-M

Material aluminium 3 & 5 mm

Dimensions 671mm x 5mm (ØxH)

Finish  raw aluminium 266,00 € (excl. taxes)
(possible surface imperfections)


 powder coated 345,00 € (excl. taxes)




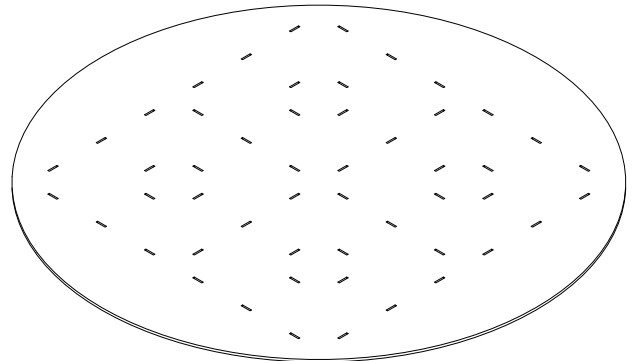
CIRCLE-L

Material aluminium 3 & 5 mm

Dimensions 979mm x 5mm (ØxH)

Finish  raw aluminium 502,00 € (excl. taxes)
(possible surface imperfections)


 powder coated 653,00 € (excl. taxes)




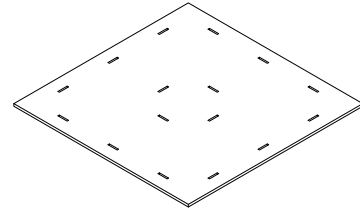
SQUARE-S

Material aluminium 3 & 5 mm

Dimensions 380mm x 380mm x 5mm (LxDxH)

Finish  raw aluminium 130,00 € (excl. taxes)
(possible surface imperfections)


 powder coated 170,00 € (excl. taxes)




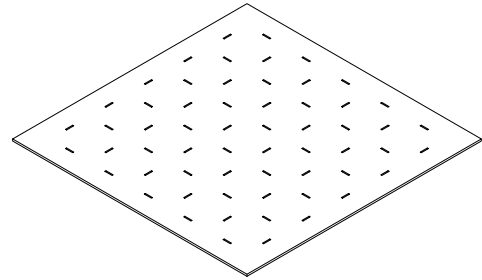
SQUARE-M

Material aluminium 3 & 5 mm

Dimensions 648mm x 648mm x 5mm (LxDxH)

Finish  raw aluminium 270,00 € (excl. taxes)
(possible surface imperfections)


 powder coated 352,00 € (excl. taxes)




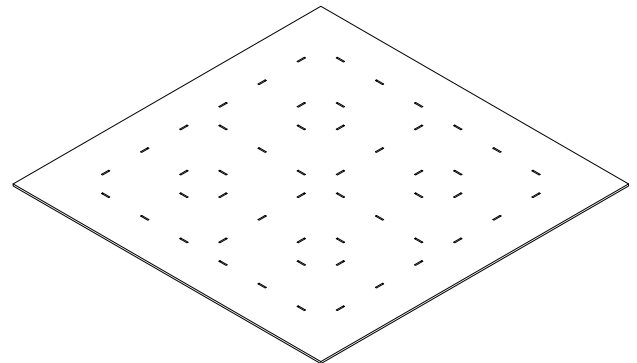
SQUARE-L

Material aluminium 3 & 5 mm

Dimensions 857mm x 857mm x 5mm (LxDxH)

Finish  raw aluminium 449,00 € (excl. taxes)
(possible surface imperfections)

 powder coated 583,00 € (excl. taxes)



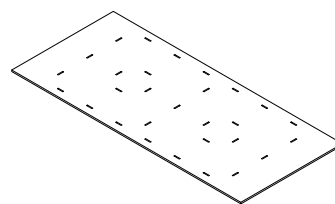
SHELF-S2

Material aluminium 3 & 5 mm

Dimensions 857mm x 380mm x 5mm (LxDxH)

Finish raw aluminium 207,00 € (excl. taxes)
(possible surface imperfections)

 powder coated 269,00 € (excl. taxes)



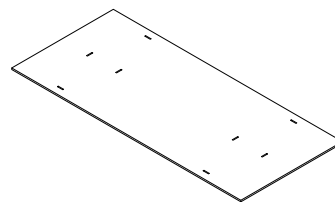
SHELF-S

Material aluminium 3 & 5 mm

Dimensions 857mm x 380mm x 5mm (LxDxH)

Finish  raw aluminium 200,00 € (excl. taxes)
(possible surface imperfections)


 powder coated 260,00 € (excl. taxes)




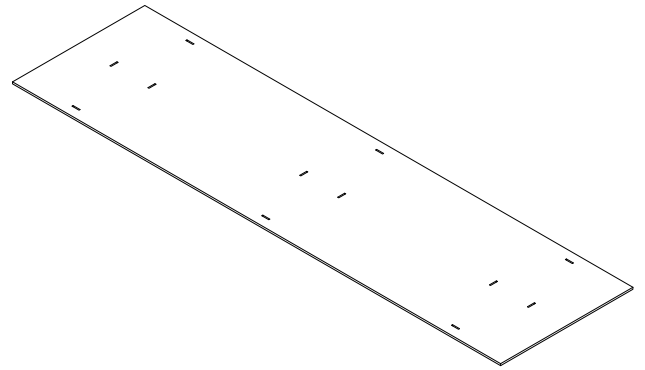
SHELF-M

Material aluminium 3 & 5 mm

Dimensions 1402mm x 380mm x 5mm (LxDxH)

Finish  raw aluminium 285,00 € (excl. taxes)
(possible surface imperfections)


 powder coated 370,00 € (excl. taxes)




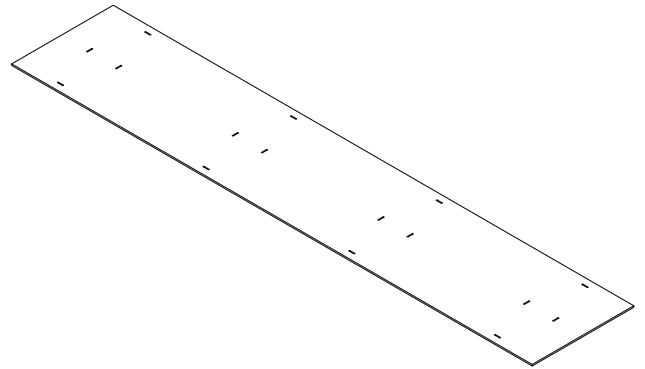
SHELF-L

Material aluminium 3 & 5 mm

Dimensions 1947mm x 380mm x 5mm (LxDxH)

Finish  raw aluminium 400,00 € (excl. taxes)
(possible surface imperfections)


 powder coated 520,00 € (excl. taxes)




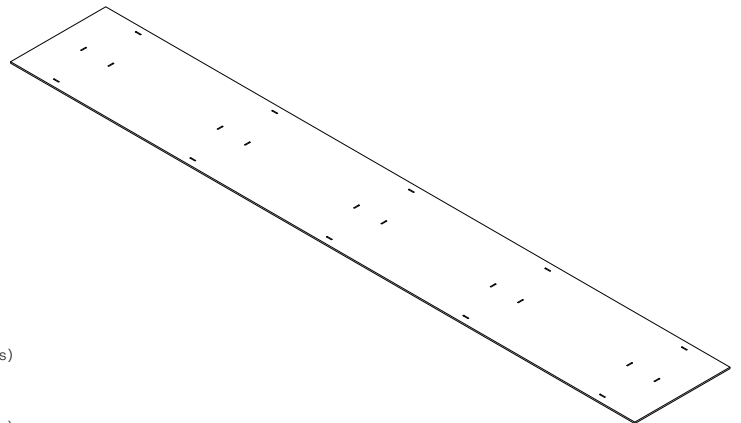
SHELF-XL

Material aluminium 3 & 5 mm

Dimensions 2492mm x 380mm x 5mm (LxDxH)

Finish  raw aluminium 500,00 € (excl. taxes)
(possible surface imperfections)

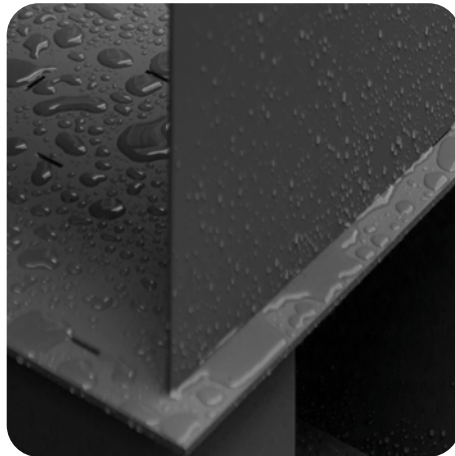
 powder coated 650,00 € (excl. taxes)



BLANK



POWDERCOATED



Stack

the first furniture collection by Ghent-based architecture studio MOTO

STACK arose from a practical necessity. When studio MOTO searched in vain for a filing cabinet for their own office, with a timeless design that could adapt to changing situations, they designed their own.

studio MOTO was founded by Thomas Hick and Mo Vandenberghe.

They designed, among other things, The Wunderkammer Residence for Museum Dhondt Dhaenens in Deurle, the mirrored chip shops in Brussels, the redevelopment of the botanical garden in Meise and the new Westerpunt observation tower in De Panne. They are currently working, among other things, on the new master plan and scenography for the Middelheim open-air museum in Antwerp.

